

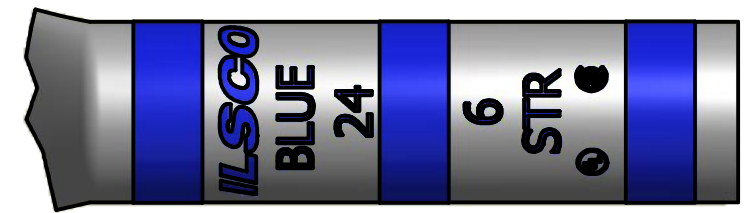
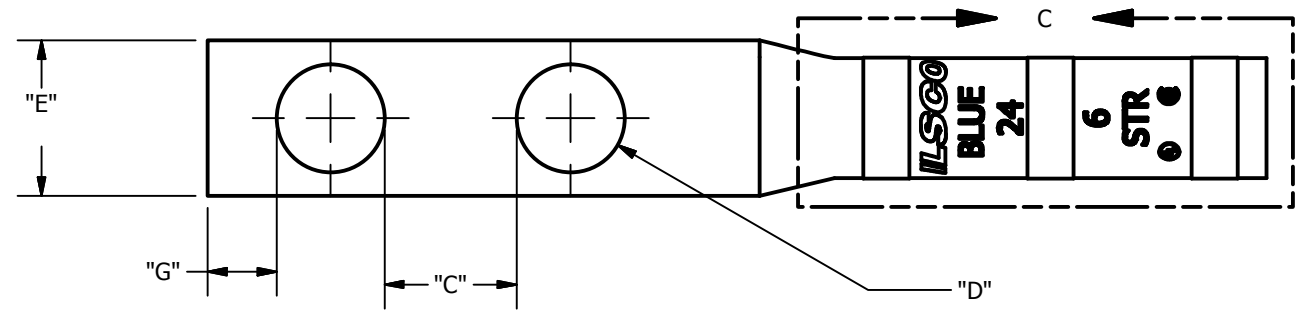
SCREW: NONE
 CAT. NO.: SEE CHART
 INFORMATION SHEET: FORM 157

MATERIAL: COPPER
 PLATING: EL-TIN
 MARKING: SEE BELOW

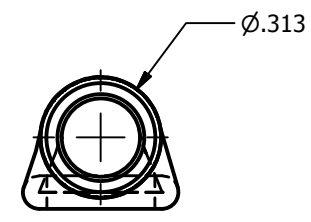
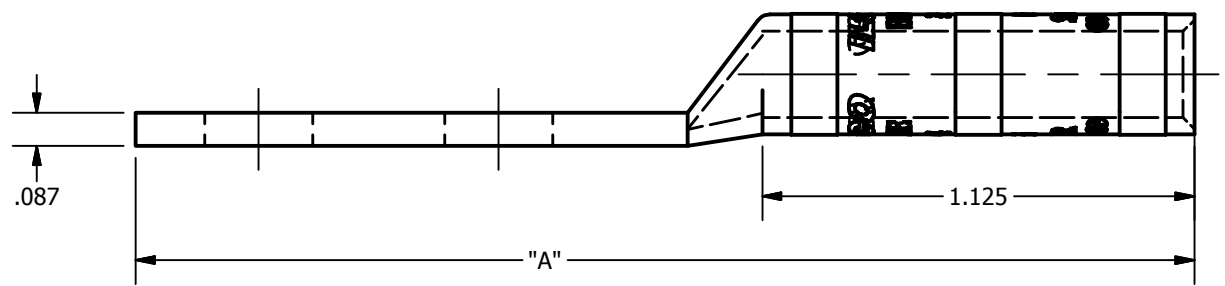
REV: Q
 DRAWN BY: DW
 DATE: 7/19/2007
 SCALE: NTS
 SIZE: B



DWG NO: Y0203-D
 SHEET: 1 OF 1



DETAIL C
 TOP INK MARKING



| CATALOG NUMBER | "A" | "C" | "D" | "E" | "G" | TANG MARKING |
|----------------|-------|-------|-------|------|-------|---|
| CLND-6-10-12 | 2.570 | 0.281 | 0.219 | .440 | 0.148 | ILSCO, C-6-10-12, 10 X 1/2, 6 STR, DIE 24, UL, CSA |
| CLND-6-10-58 | 2.570 | 0.406 | 0.219 | .440 | 0.148 | ILSCO, C-6-10-58, 10 X 5/8, 6 STR, DIE 24, UL, CSA |
| CLND-6-10-1116 | 2.570 | 0.468 | 0.219 | .440 | 0.148 | |
| CLND-6-10-34 | 2.757 | 0.531 | 0.219 | .440 | 0.148 | ILSCO, C-6-10-34, 10 X 3/4, 6 STR, DIE 24, UL, CSA |
| CLND-6-10-1 | 3.007 | 0.781 | 0.219 | .440 | 0.148 | |
| CLND-6-14-12 | 2.570 | 0.219 | 0.281 | .440 | 0.180 | ILSCO, 6 STR, DIE 24, UL, CSA |
| CLND-6-14-58 | 2.757 | 0.344 | 0.281 | .440 | 0.180 | ILSCO, C-6-14-58, 1/4 X 5/8, 6 STR, DIE 24, UL, CSA |
| CLND-6-14-34 | 2.757 | 0.469 | 0.281 | .440 | 0.180 | ILSCO, C-6-14-34,, 1/4 X 3/4, 6 STR, DIE 24, UL, CSA |
| CLND-6-14-1 | 3.007 | 0.719 | 0.281 | .440 | 0.180 | ILSCO, C-6-14-1, 1/4 X 1, 6 STR, DIE 24, UL, CSA |
| CLND-6-516-58 | 2.757 | 0.282 | 0.343 | .530 | 0.180 | |
| CLND-6-516-34 | 3.007 | 0.407 | 0.343 | .530 | 0.180 | ILSCO, C-6-516-34, 5/16 X 3/4, DIE 24, 6 STR, UL, CSA |
| CLND-6-516-78 | 3.007 | 0.532 | 0.343 | .530 | 0.180 | |
| CLND-6-516-1 | 3.257 | 0.657 | 0.343 | .530 | 0.180 | |
| CLND-6-516-134 | 3.820 | 1.407 | 0.343 | .530 | 0.180 | |
| CLND-6-38-34 | 3.007 | 0.344 | 0.406 | .598 | 0.211 | ILSCO, C-6-38-34, 3/8 X 3/4, 6 STR, DIE 24, UL, CSA |
| CLND-6-38-78 | 3.257 | 0.469 | 0.406 | .598 | 0.211 | ILSCO, C-6-38-78, 3/8 X 7/8, 6 STR, DIE 24, UL, CSA |
| CLND-6-38-1 | 3.257 | 0.594 | 0.406 | .598 | 0.211 | ILSCO, CLND-6-38-1, 3/8 X 1, DIE 24, 6 STR, UL, CSA |
| CLND-6-38-116 | 3.257 | 0.656 | 0.406 | .598 | 0.211 | |
| CLND-6-38-118 | 3.445 | 0.719 | 0.406 | .598 | 0.211 | |
| CLND-6-38-134 | 3.945 | 1.344 | 0.406 | .598 | 0.211 | ILSCO, CLND-6-38-134, 3/8 X 1-3/4, DIE 24, 6 STR, UL, CSA |
| CLND-6-38-2 | 4.320 | 1.594 | 0.406 | .598 | 0.211 | |
| CLND-6-12-1 | 3.445 | 0.438 | 0.562 | .755 | 0.265 | ILSCO, CLND-6-12-1, 1/2 X 1, 6 STR, DIE 24, UL, CSA |
| CLND-6-12-114 | 3.820 | 0.688 | 0.562 | .755 | 0.265 | |
| CLND-6-12-112 | 3.945 | 0.938 | 0.562 | .755 | 0.265 | |
| CLND-6-12-134 | 4.320 | 1.188 | 0.562 | .755 | 0.265 | ILSCO, CLND-6-12-134, 1/2 X 1-3/4, 6 STR, DIE 24, UL, CSA |
| CLND-6-12-178 | 4.320 | 1.313 | 0.562 | .755 | 0.265 | |